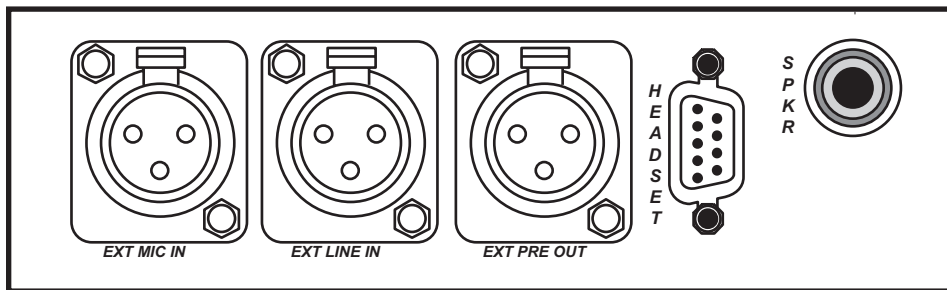


Installation Instructions

KP-12 Rear Connector Module



PROPRIETARY NOTICE

The product information and design disclosed herein were originated by and are the property of Telex Communications, Inc. Telex reserves all patent, proprietary design, manufacturing, reproduction, use and sales rights thereto, and to any article disclosed therein, except to the extent rights are expressly granted to others.

COPYRIGHT NOTICE

Copyright 2005 by Telex Communications, Inc. All rights reserved. Reproduction, in whole or in part, without prior written permission from Telex is prohibited.

WARRANTY NOTICE

See the enclosed warranty card for further details.

CUSTOMER SUPPORT

Technical questions should be directed to:

Customer Service Department
RTS/Telex Communications, Inc.
12000 Portland Avenue South
Burnsville, MN 55337 USA
Telephone: 800-392-3497
Fax: 800-323-0498
Factory Service: 800-553-5992

RETURN SHIPPING INSTRUCTIONS

Customer Service Department
Telex Communications, Inc (Lincoln, NE)
Telephone: 402-467-5321
Fax: 402-467-3279
Factory Service: 800-553-5992

Please include a note in the box which supplies the company name, address, phone number, a person to contact regarding the repair, the type and quantity of equipment, a description of the problem and the serial number(s).

SHIPPING TO THE MANUFACTURER

All shipments of product should be made via UPS Ground, prepaid (you may request from Factory Service a different shipment method). Any shipment upgrades will be paid by the customer. The equipment should be shipped in the original packing carton. If the original carton is not available, use any suitable container that is rigid and of adequate size. If a substitute container is used, the equipment should be wrapped in paper and surrounded with at least four (4) inches of excelsior or similar shock-absorbing material. All shipments must be sent to the following address and must include the Proof of Purchase for warranty repair. Upon completion of any repair the equipment will be returned via United Parcel Service or specified shipper, collect.

Factory Service Department
Telex Communications, Inc.
8601 Cornhusker Hwy.
Lincoln, NE 68507 U.S.A.
Attn: Service

KP-12 Rear Connector Module Installation Instructions

General Description

The KP-12 Rear Connector Module installs in the KP-12 rear panel and adds the following features:

- EXT MIC IN: An external dynamic-mic input to be used in conjunction only with headphones or a headset.
- EXT LINE IN: An external line input for connection of a program input or other line-level audio source.
- MIC PRE OUT: A mic preamp output which can be turned ON or OFF via front panel programming.
- HEADSET: A connector for an external dynamic-mic headset. This connector may also be used with an external electret mic in conjunction with the front panel speaker or an external speaker.
- SPKR: A connector for an external speaker.

Installation Procedure

1. Remove Power.
2. Remove all the screws securing the top cover. Carefully remove the top cover and note how the front and rear panel components are seated in the slots in the top and bottom covers. Make sure all components are properly seated in these slots during reassembly.

3. Remove and discard the long, blank panel section from the back panel of the KP-12. Or, if the KP-12 already has a General Purpose Input/Output (GPI) Module installed, remove the short blank panel section from the left end of the back panel.

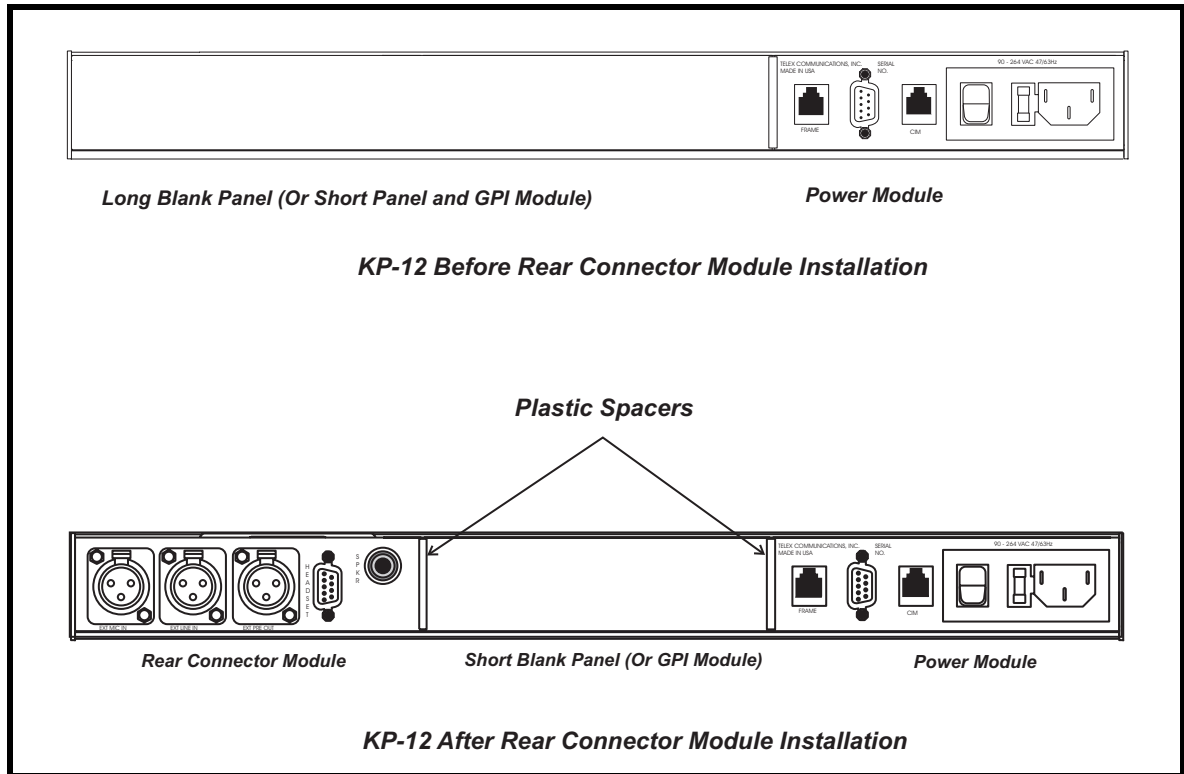


FIGURE 1. KP-12 Rear Panel Reference View

4. Position the Rear Connector Module in the slot in the bottom cover at the left end of the back panel. If a GPI Module is not being used, insert the short blank panel section next to the Rear Connector Module. Use the plastic as shown.
5. Refer to the wiring diagram on page 4 and make all connections as indicated.
6. Reassemble the top cover, making sure that all front and rear panel components are properly seated in the top and bottom cover slots.
7. Refer to the pin-outs on page 5 when making connections to the Rear Connector module.

Operational Notes

EXT MIC IN

This connector is activated when HDST is selected on the KP-12 front panel. See Headset Speaker Selection and Volume Adjustment in the KP-12 User Instructions Manual. Also, make sure the KP-12 is configured to receive mic input from the EXT MIC IN connector and not the HEADSET connector. See “Service Menu, HDST Mic” in the KP-12 User Instructions Manual, and use the EXTERNAL selection.

EXT LINE IN

This connector is always active. Adjust the level to the speaker or headphones using the PRGM selection on the front panel of the KP-12. See “Headset Speaker Selection and Volume Adjustment” in the KP-12 User Instructions Manual.

MIC PRE OUT

This connector is activated via the USM item in the SERVICE menu of the KP-12. See “Service Menu, USM” in the KP-12 User Instructions Manual.

HEADSET

When using this connector with a dynamic-mic headset, select HDST on the front panel. See “Headset Speaker Selection and Volume Adjustment” in the KP-12 User Instructions Manual. Also, make sure the KP-12 is configured to receive mic input from the dynamic mic input pins of the HEADSET connector and not the EXT MIC IN connector. See “Service Menu, HDST Mic” in the KP-12 User Instructions Manual, and use the HEADSET selection.

When using this connector for headphone connection when you are using the EXT MIC IN connector for the microphone connection, you should also select HDST on the front panel. However, in this case, make sure that the KP-12 is configured to receive mic input for the EXT MIC IN connector and not the HEADSET connector. See “Service Menu, HDST Mic” in the KP-12 User Instructions Manual, and use the EXTERNAL selection.

When using this connector with an external electret mic, you can also use either the front panel speaker or an external speaker connected at the rear panel. In either case, select SPKR on the front panel of the KP-12.

SPKR

This connector is selected and used exactly like the front panel speaker. See “Headset Speaker Selection and Volume Adjustment” in the KP-12 User Instructions Manual.

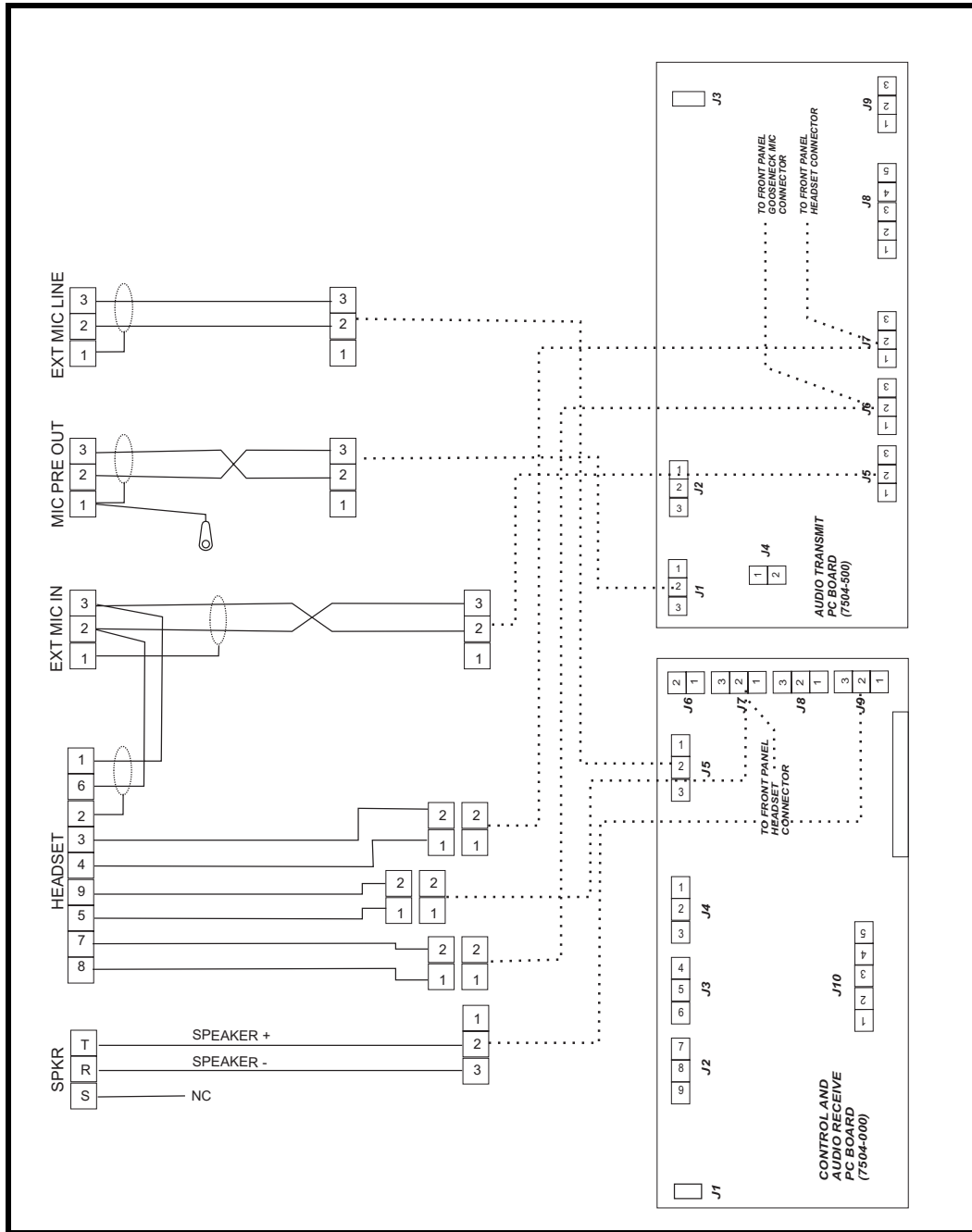


FIGURE 2. Connector Panel Wiring Diagram

Reconnector Module Pin-outs

EXT MIC IN External balanced dynamic-mic connector

Type: 3-pin Female XLR Audio Connector

Pin 1	Shield (circuit common)
Pin 2	Mic input +
Pin 3	Mic input -

EXT LINE IN Balanced Program Audio Input

Type: 3-pin Female XLR Audio Connector

Pin 1	Shield (circuit common)
Pin 2	Mic input -
Pin 3	Mic input +

MIC PRE OUT Unswitched, Balanced Microphone Output

Type: 3-pin Female XLR Audio Connector

Pin 1	Shield (circuit common)
Pin 2	Mic input +
Pin 3	Mic input -

HEADSET External Headset Connector

Type: 9-Pin Male D-sub

Pin 1	External balanced dynamic mic input -
Pin 2	External balanced dynamic mic input shield (common)
Pin 3	Headset balanced dynamic mic input +
Pin 4	Headset balanced dynamic mic input -
Pin 5	Headphone +
Pin 6	External balanced dynamic mic input +
Pin 7	Electret panel mic audio input + and +5VDC bias
Pin 8	Electret panel mic common
Pin 9	Headphone -

SPKR External Speaker Output (8 ohms min, 2 watts max)

Type: 3-Conductor, 1/4-inch phone jack

Tip	Speaker +
Ring	Speaker -
Sleeve	No Connection



BE HEARD

12000 Portland Avenue South • Burnsville, MN 55337 • U.S.A

www.telex.com
