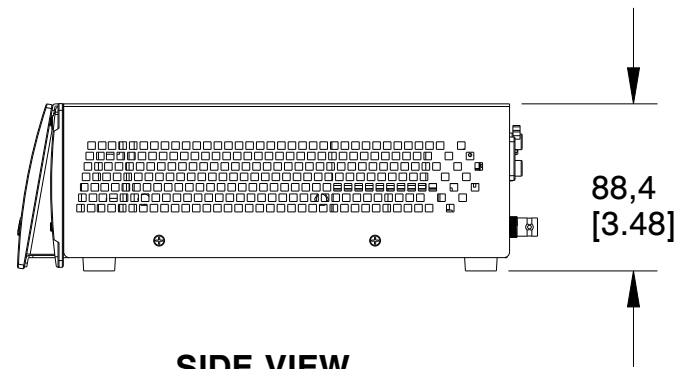
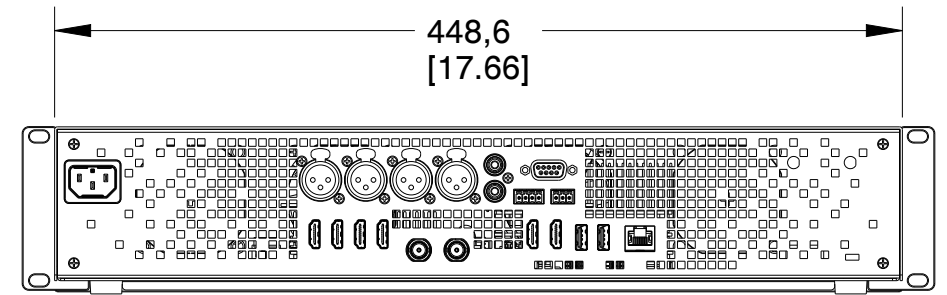


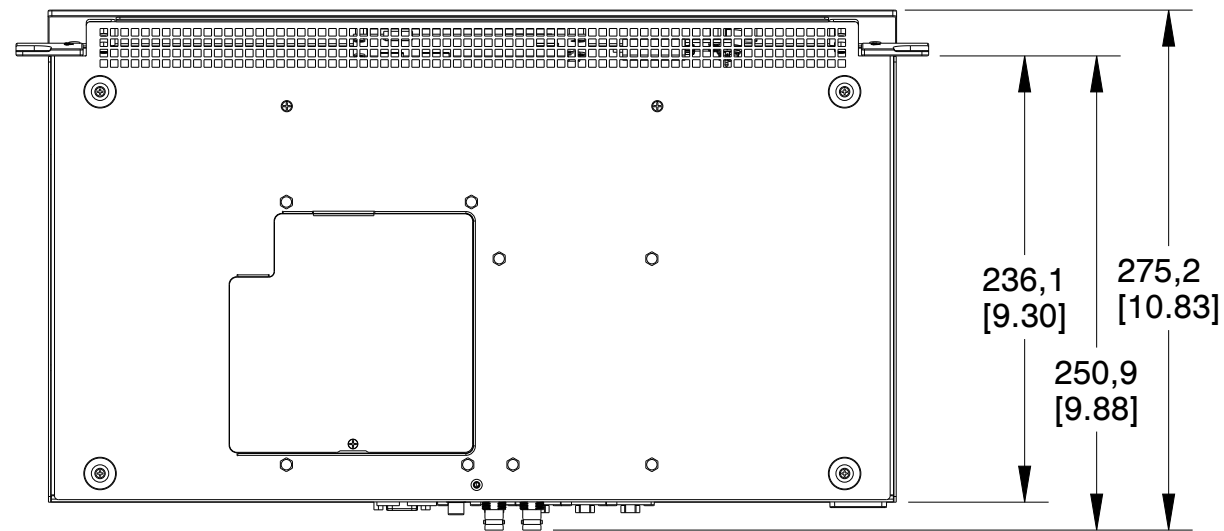
FRONT VIEW



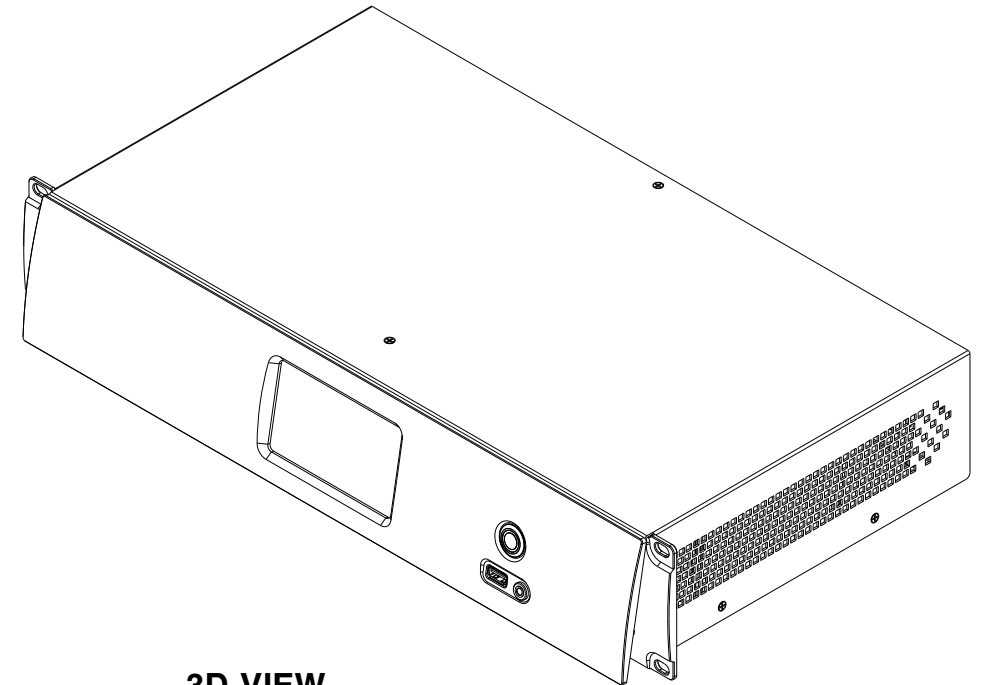
SIDE VIEW



REAR VIEW



BOTTOM VIEW



3D VIEW

<p>THIS WORK CONTAINS INFORMATION THAT IS CONFIDENTIAL AND PROPRIETARY TO EPIPHAN SYSTEMS INC. NO PART OF THIS DOCUMENT MAY BE USED, REPRODUCED, DIVULGED TO A THIRD PARTY, OR TRANSMITTED IN ANY FORM OR BY ANY MEANS WITHOUT THE PRIOR WRITTEN CONSENT OF EPIPHAN SYSTEMS INC. ©2019</p>			
<p>UNCONTROLLED COPIES OF THIS WORK ARE CURRENT AT THE RELEASE DATE ONLY, AND ARE NOT SUBJECT TO REVISION CONTROL.</p>		<p>TITLE PEARL-2 RACKMOUNT CHASSIS CUSTOMER DRAWING</p>	
<p>UNLESS OTHERWISE SPECIFIED ALL DIMENSIONS ARE IN MM [INCH]</p>		<p>DWG NO. 30262</p>	<p>PART NO. ESP1301</p>
<p>THIRD ANGLE PROJECTION</p>		<p>DESIGNER C. ELLIOTT</p>	<p>APPROVAL M. SCHULTZ</p>
		<p>ISSUE 1</p>	
<p>SIZE B</p>	<p>SCALE 1:4</p>	<p>SHEET 1</p>	<p>OF 1</p>